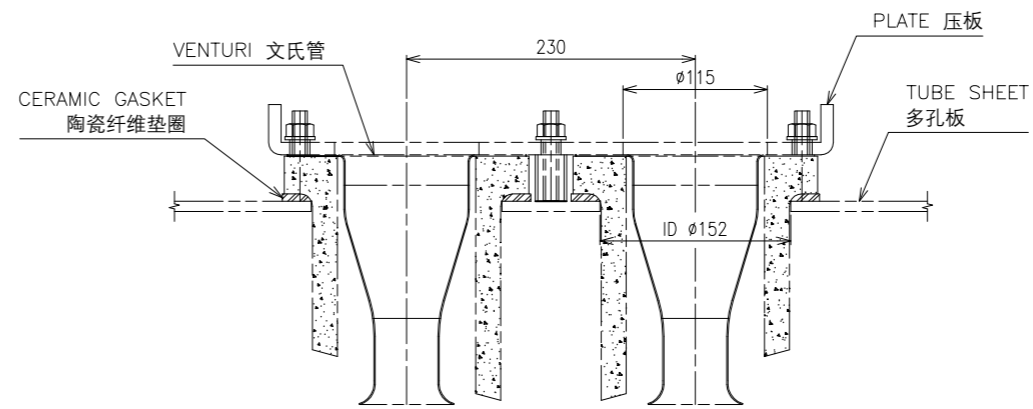


陶瓷纤维垫圈
Ceramic gasket



夹紧部件组立
Clamping System Assembly

项目	规格
尺寸	OD $\phi 150 \times 3000$ mmL
材质	Ceramic 陶瓷纤维
重量	陶瓷纤维滤管 11.5 kg/支 ± 1.0 kg
	陶瓷纤维触媒滤管 12.0 kg/支 $+1.5$ kg -1.0 kg



富利康科技股份有限公司 CLEAN AIR TECHNOLOGY LIMITED	
SCALE 1:3	TITLE : CERAMIC FILTER 陶瓷纤维滤管 PureTek / PureMax
DRAWN	CHECKED
DESIGNED	APPROVED
CONTRACT NO.	
SUBSTITUTE FOR	
REPLACED BY	
MFR. OR DSN. DWG. NO. CAT-CF-001	SHT.NO. 0
REV.NO. 0	CLASSIFICATION CODE -
SIZE A1	